

The HELLA logo is positioned in the top right corner. It features the word "HELLA" in a bold, black, sans-serif font. The letter "E" is stylized with three horizontal bars: a yellow bar on top, a red bar in the middle, and a blue bar on the bottom.

HELLA

The background of the advertisement is a photograph of a building's exterior. It shows a series of vertical awnings or louvers that are partially open, revealing a view of a desert landscape with rocky terrain. The bottom portion of the image is overlaid with a semi-transparent orange gradient.

**ACHIEVE THE
IMPOSSIBLE**

Vertical awnings

FOR ALL EVENTUALITIES

The perfect range

HELLA's range of vertical awnings follows the trend for large-format and side seam guided systems. The clear division into the categories of front-mounted, recess-mounted and concealed awnings makes it easy for our customers to find what they need. All three categories are available with either side rail or cable guiding. HELLA thus offers the perfect solution for every installation situation.

HIGHLIGHTS

- box sizes suitable for windows and façades
- large selection of guide rails
- can be combined with fall protection solutions





TECHNICAL DETAILS

Highlights

- Drive with crank (front-mounted awnings protect and cable Q85/Q100) and motor
- ONYX, elero and Somfy remote control systems
- Cable reserve in the box in case roller tube needs to be replaced
- Cables and plugs can be stowed in the recess and rendered box
- Rendered boxes with optional insulation on the rear 20/30/40 mm EPS

FRONT-MOUNTED AWNINGS

Making fabric shading the star of the show



Front-mounted awnings protect

This variant uses an extruded cassette. It is possible to fix the guide rails directly onto the surface or with the help of spacers. The side seam guided covers are especially suitable for wind-exposed locations.

- self-supporting, simple assembly
- square boxes (Q85/Q100/Q115/Q130/Q150)
- rectangular boxes (E100/E115/E130)
- round box (R130)
- up to 6 m width and height (max. 18 m²)
- optionally available with solar control for rectangular boxes of up to 3 m in width

Front-mounted awnings, cable guided

With particularly small cassettes, this design can be easily installed in any window recess with box brackets. The spring integrated in the box keeps the cables under tension at all times.

- easy mounting with variable box beam
- square boxes (Q85/Q100)
- up to 3 m width and 3 m height
- spring tensioning integrated in the box

RECESS AWNINGS

The self-supporting solution that is flush with the façade



Recess awnings protect

This side seam guided model with self-supporting, extruded half-cassettes is ideally suited to integration into structural recesses.

- self-supporting, simple installation in structural recesses
- three box sizes, half-cassette (H100/H115/H130)
- up to 3.5 m width and 4.5 m height
- plug-in coupling stowed in the inspection cover
- cable reserve in case roller tube needs to be replaced
- guide rails can be fully rendered

Recess awnings, cable guided

The cable-guided standard version allows for simple bracket installation of the awning in the structural recess. Thanks to the spring-loaded cable guiding, the covers are always properly tensioned and provide perfect and unobtrusive heat protection.

- simple mounting with bracket (116x50 mm) to the rear or top in structural recesses
- up to 5 m width and 3 m height
- drive system: crank handle or motor

CONCEALED AWNINGS

Save energy with more insulation



Concealed awnings protect

This design is the ultimate side seam guided system with rendered boards on the cassette. This model is perfect for integration into rendered façades and can be accessed from below for maintenance at any time. Optionally, the rear of the cassettes can be insulated to save energy.

- rectangular boxes (E100/E115/E130)
- up to 4 m width and 4 m height
- guide rails can be fully rendered
- 20/30/40 mm insulation on the rear with EPS possible
- impermeable to driving rain due to sealing profiles at the rear of the box and in the guide rails

Concealed awnings, cable guided

This concealed awning is specially designed for insulated rendered façades. Thanks to the easy-to-install box system with render carriers, it integrates inconspicuously into the façade. Optimum insulation behind the box saves energy at the same time.

- easy mounting with brackets or directly onto the surface
- rectangular box (E115)
- up to 3 m width and 3 m height
- spring tensioning integrated in the box

Guide rails

Front-mounted awnings and recess awnings

- standard guide rails for mounting directly on the surface or using spacers
- optional deep guide rails for recess awnings protect and front-mounted awnings protect with rectangular box shape (100/115/130 mm)

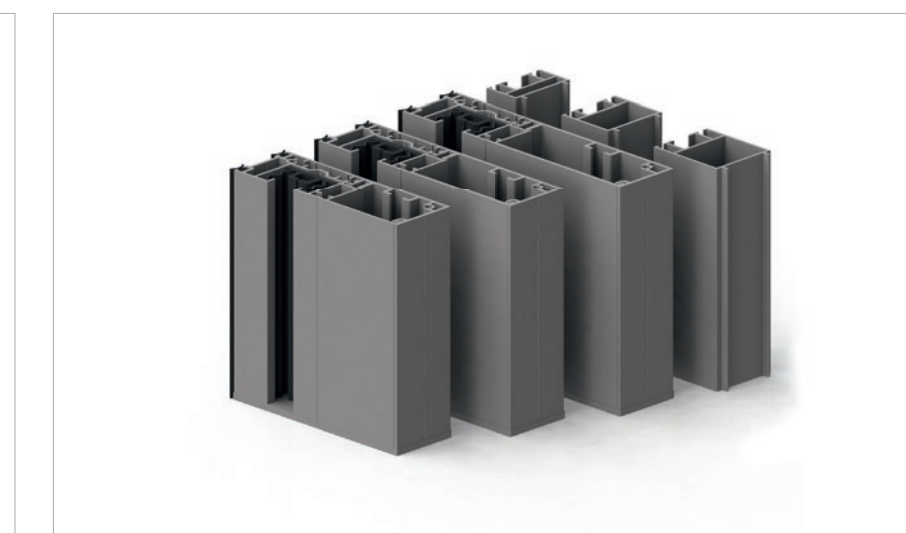
Guide rails

Concealed awnings

- with deep guide rails to match the box depth (100/115/130 mm)
- guide rails with sealing profiles resistant to driving rain
- optional 20/30/40 mm aluminium adapter for spacing with insulation on the rear



Single guide rails
32x55 mm,
32x49 mm (Q 85/Q100)



Deep guide rails
for flush mounting
(97/115/130 mm)

Aluminium adapter
20/30/40 mm
for spacing

HELLA

Flyer | Vertical awnings

7543 0083_EN

02/2025

Subject to technical, typesetting and printing changes and errors.