



HELLA

Flyer | Vertical awnings
7543 0083_EN
06/2023
Subject to modifications.

HELLA

FOR ALL EVENTUALITIES

The perfect programme

HELLA's vertical awning program follows the trend towards large-format and side-seam guided systems. The clear division into the three categories of front-mounted, shaft-mounted, and concealed awnings makes it easy for our customers to find their way around. All three are available with either side hem or cable guiding. HELLA thus offers the perfect solution for every installation situation.

HIGHLIGHTS

- Suitable box sizes for window and façade
- Large selection of guide rails
- Can be combined with fall protection



**DO THE
IMPOSSIBLE**
Vertical awnings





TECHNICAL DETAILS

Highlights

- Drive with crank (VM protect and cable Q85/Q100) and motor
- Radio systems ONYX, elero, and Somfy
- Cable reserve in the box for a revision of the roller tube
- Flexible stowage of cables and plugs in the shaft and plaster box possible
- Plaster boxes with optional back insulation 20/30/40 mm EPS

FRONT-MOUNTED AWNINGS

This makes textile shading big



Front-mounted awnings protect

This variant uses an extruded cassette. It is possible to fix the guide rails directly or with the help of spacers. The side seam guided covers are especially suitable for wind-exposed locations.

- Self-supporting, simple assembly
- Square boxes (Q85/Q100/Q115/Q130/Q150)
- Rectangular boxes (E100/E115/E130)
- Round box (R130)
- Up to 6 m width and height (max. 18 m²)

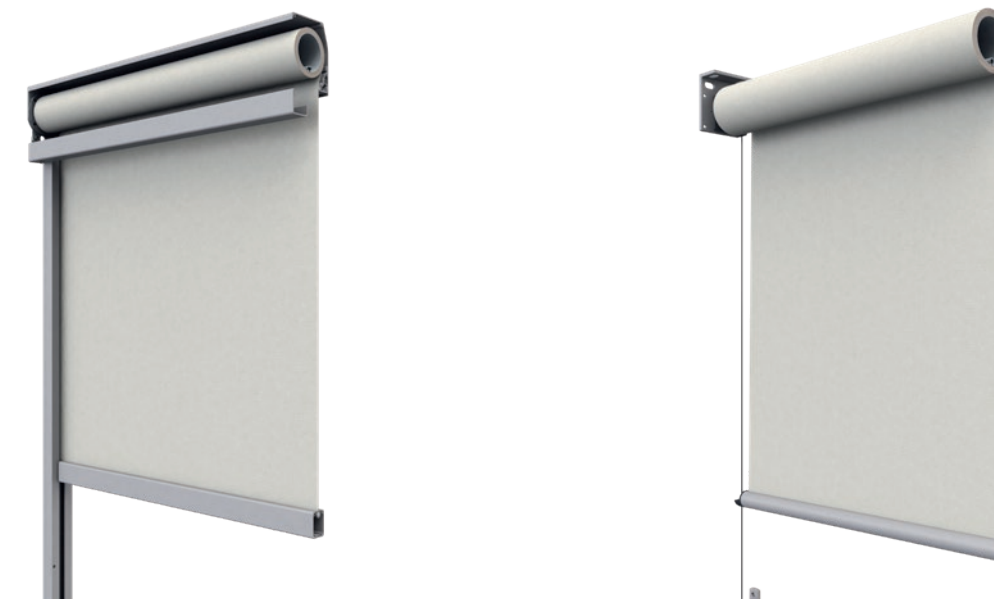
Front-mounted awnings, cable guided

With particularly small cassettes, this design can be easily installed in any window soffit with box brackets. The spring integrated in the box keeps the cables under tension at all times.

- Easy mounting with variable box beam
- Square boxes (Q85/Q100)
- Up to 3 m wide and 3 m high
- Spring bracing integrated in the box

RECESS AWNINGS

The self-supported solution which is flush with the façade



Recess awnings protect

This side-hem model with self-supported, extruded half-cassettes is ideally suited for integration into on-site recesses.

- Self-supporting, simple installation in on-site recesses
- Three box sizes, half-cassette (H100/H115/H130)
- Up to 3,5 m wide and 4,5 m high
- Stowage of the plug-in coupling in the inspection cover
- Cable reserve for a revision of the roller tube
- Fully plasterable guide rails

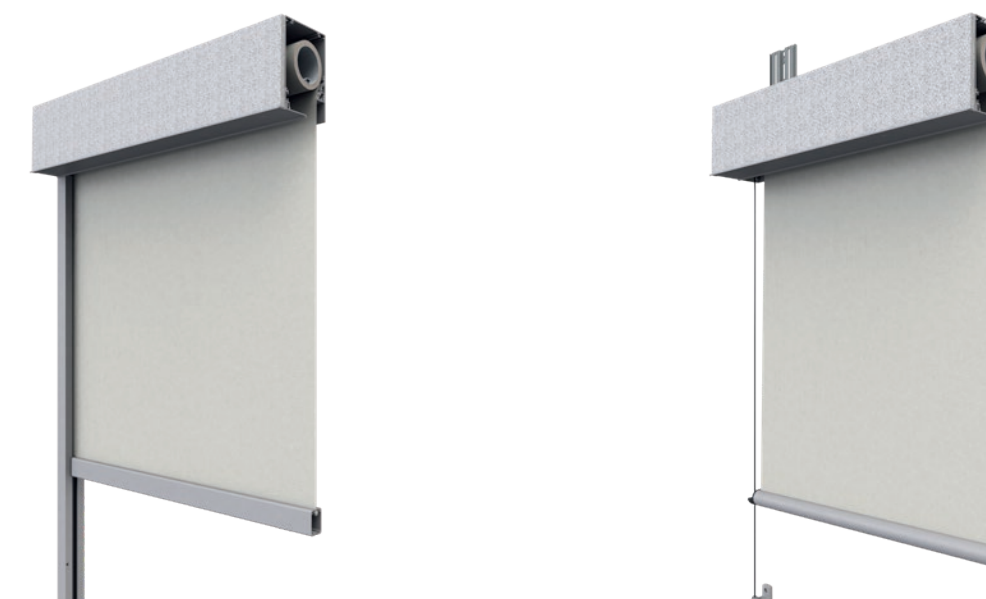
Recess awnings, cable guided

The cable guided classic offers a simple bracket installation of the awning in the recess on site. Thanks to the spring-loaded cable guiding, the covers are always properly tensioned and provide perfect and unobtrusive heat protection.

- Simple mounting with bracket (116x50 mm) to the rear or top in on-site shafts
- Up to 5 m wide and 3 m high
- Drive system: Crank handle or motor

CONCEALED AWNINGS

Save energy with more insulation



Concealed awnings protect

The design stands for side-hem guided systems with plaster base plates on the cassette. This model is perfect for integration into plaster façades and can be reached from below for revision at any time. Optionally, the cassettes can be back-insulated to save energy.

- Rectangular boxes (E100/E115/E130)
- Up to 4 m wide and 4 m high
- Fully plasterable guide rails
- 20/30/40 mm rear insulation with EPS possible
- Impermeable to driving rain due to sealing profiles at the rear of the box and in the guide rails

Concealed awnings, cable guided

This concealed awning is specially designed for insulated plaster façades. Thanks to the easy-to-install box system with plaster supports, it integrates inconspicuously into the façade. Optimum insulation behind the box saves energy at the same time.

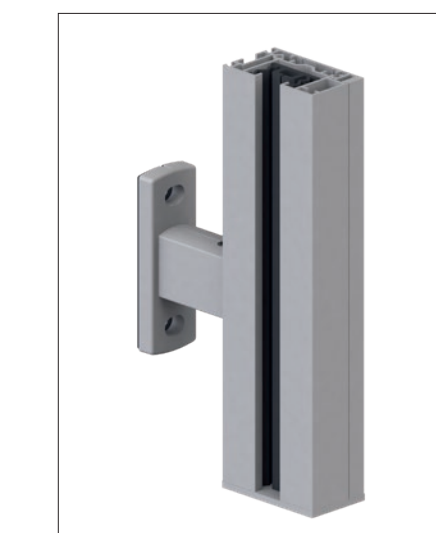
- Easy mounting with angles or directly
- Rectangular box (E115)
- Up to 3 m wide and 3 m high
- Spring bracing integrated in the box

Guide rails Front-mounted awnings and recess awnings

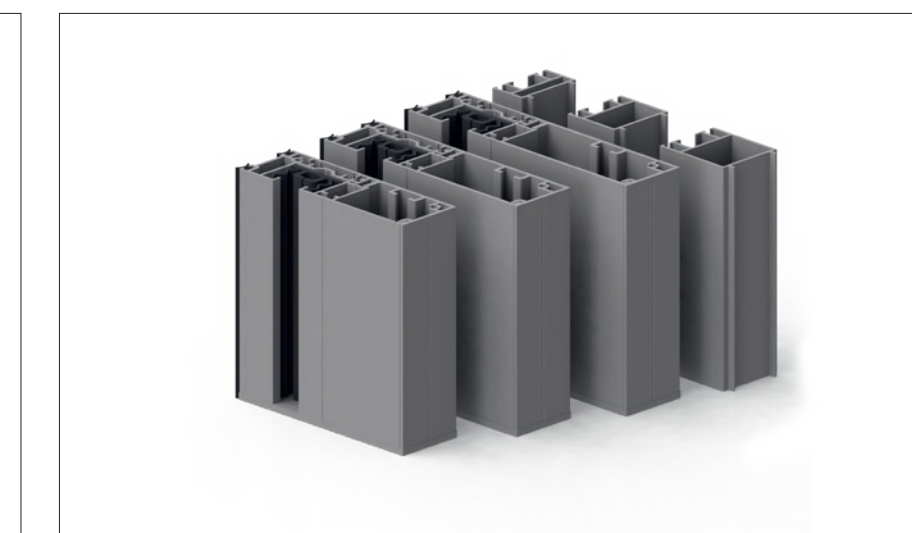
- Standard guide rails as direct mounting and optionally as spacer mounting
- Optionally with deep guide rails for recess awnings protect and front-mounted awnings protect with rectangular box shape (100/115/130 mm)

Guide rails Plaster awnings

- With deep guide rails to match the box depth (100/115/130 mm)
- Driving rain-proof guide rail with sealing profiles
- Optional 20/30/40 mm aluminium adapter for spacing with back insulation



Single guide rails
32x55 mm,
32x49 mm (Q 85/Q100)



Deep guide rails
for flush in-plaster mounting
(97/115/130 mm)

Aluminium adapter
20/30/40 mm for dis-
sociation