



HELLA

THE WORLD OF THE HELLA GROUP

**WE TAME
THE SUN**

CONTENTS

Welcome to HELLA	1
The HELLA-world	4
The HELLA-Group	6
Sustainability	10
Product portfolio	16
Terrace & Garden	18
Terrace roofings	
Overglass and underglass awnings	
Awnings	
Windows & Facade	34
Outdoor blinds &	
Exterior Venetian blinds	
Vertical awnings	
Roller blinds	
Internal shading	
Insect screens	
Building & Renovating	58
Box systems	
Soffit systems	
Top-mounted elements	
Fall protections	
Smart-Home	74
ONYX	



WELCOME TO HELLA

At HELLA, we contribute competence and experience from more than half a century of company history to the development and production of high-quality sun and weather protection systems. Our head office and our origin are based in the Austrian Abfaltersbach, a small village in the East Tyrolian mountains. Influenced by the values of our home region like honesty and reliability, we have developed into one of Europe's leading brands for sun and weather protection as well as driving force for technologies and designs.

Our product range extends from sun and weather protection solutions for indoor and outdoor use to networked smart home systems for trend-setting residential and commercial buildings. On the one hand HELLA's products create individual light conditions and protect against sun and weather, and on the other hand they ensure the securing of the building itself. Finally they help to reduce the energy consumption and optimise the energy balance of the building. HELLA itself is

just as sustainable as the products: At its headquarters, the company produces more energy than is consumed thanks to its own hydroelectric power station and including participation in a biomass heating plant. In this way, HELLA creates comfort, meets the individual protection requirement and makes a contribution to the living quality. Convince yourself of the company's performance promise and the HELLA product variety on the following pages.

ANDREAS KRALER
Managing Partner
HELLA-Group

CHRISTIAN SCHALLER
CEO
HELLA-Group

*The responsibility for our
employees has the highest
priority for us!*

*Alois Kraler
company founder*





A EUROPEAN PLAYER FROM ABFALTERSBACH

HELLA is one of the leading European suppliers of sun, light and weather protection technology. The company with its headquarter in Abfaltersbach in East Tyrol is represented with own branch offices in nine European countries, in two of which it operates production plants. In 2021, 1,300 staff members generated a turnover of 192.5 mio. Euros worldwide in 60 markets.

The company was established at its current location in the year 1959 and has since been in the ownership of the Kraler family. After a continuous expansion of regional and national business, the expansion accelerated after 2000 and was

completed in 2016. In recent years, the focus has been on the group-wide standardization of business processes and the organizational and technical development of the company. HELLA is thus ready for the next growth phase in the booming sun protection industry.

HELLA is the market leader in Austria and South Tyrol. From the point of view of the European market, the company is one of the top-5 providers of sun and weather protection systems. Germany is one of the most important growth markets for the HELLA-Group.

1959

Company founded by Alois Kraler

1974

Takeover in the second generation by Franz Kraler

1981-1990

Continuous expansion of the regional and national business

from 2000

Expansion by several acquisitions and takeovers in Europe

2017

Takeover in the third generation by Andreas Kraler

THE HELLA GROUP

An international enterprise with more than 1300 employees

The innovative all-round provider

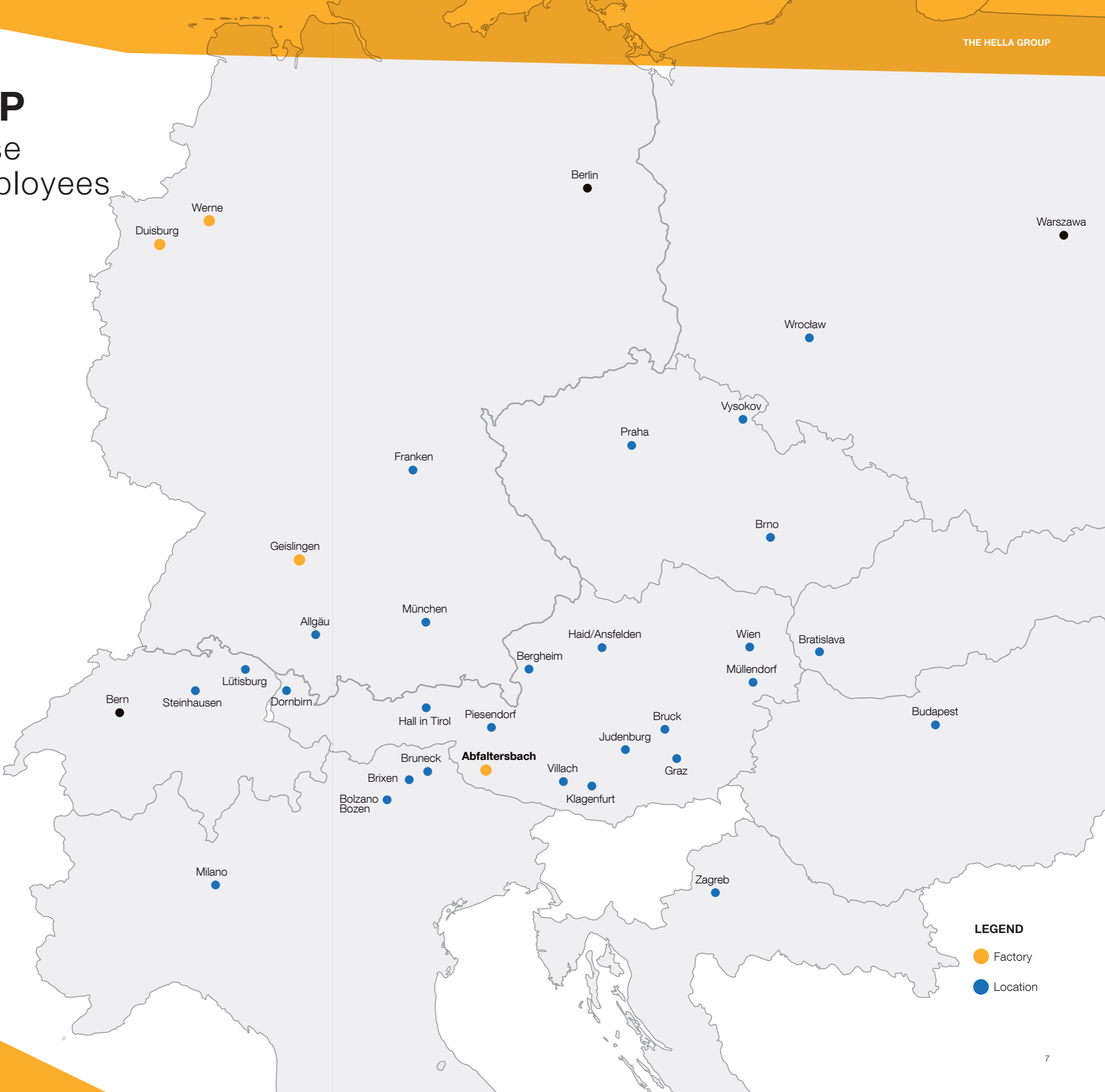
HELLA's product portfolio is continuously expanded in line with the architectural trends. The range extends from Venetian blinds, outdoor blinds and roller shutters, to awnings, facade blinds and pergolas as well as solutions for building shells and electronic control devices for these systems. The development of HELLA's portfolio is build on the innovative strength of its employees that have evolved over decades. HELLA's products create individual light conditions and protect against sun and weather, and they ensure the securing of the building itself. Finally they help to reduce the energy consumption and optimise the energy balance of the building. In this way, HELLA creates comfort, meets the individual protection requirement and makes a contribution to the living quality.

Premium quality from a single source

Our commitment to leadership in quality is consequently followed within the development of our product portfolio as well as within the vertical value chain with regard to our clients. HELLA does not only deliver products and software, but also serves for the installation and After Sales Service as well as for repair and spare parts. Premium quality is the benchmark: All products are manufactured individually to measure, and all components build-in are designed for robustness and long service life, which contributes to the sustainability of the HELLA products.

Four plants in two countries

HELLA is represented in nine European countries with its own branch offices. 28 selling agencies serve for maximum local presence. HELLA produces its quality products in four plants: In addition to the production at the headquarters in Abfaltersbach in Austria, the company produces in Germany at the three locations in Werne, Duisburg and Geislingen.



LEGEND

- Factory
- Location

*Architecture should
reflect the life and times.*

Walter Gropius
german architect and
co-founder of the Bauhaus style
(1883-1969)



SUSTAINABILITY TIMES THREE

Ecological, economical and social

For HELLA, sustainability is more than just a buzzword - the commitment to it is a holistic approach and has been practiced by the owners for decades. Consequently acting in a sustainable way, means acting ecologically, economically and socially sustainable. The company maintains relationships to customers, suppliers and employees on a long term basis. The processed slat belts at all outdoor venetian blinds, for example, consist of 80 percent recycled aluminium. HELLA itself is just as sustainable as the products: At its headquarters, the company produces more energy than is consumed thanks to its own hydroelectric power station and including participation in a biomass heating plant. The energy management principle "Saving, generating and stocking energy", that has been defined at the location of the company headquarters is constantly extended to further business locations.

HELLA's contribution to climate protection

The most sustainable solution for a comfortable indoor climate and against summer heat is automated outdoor shading. Above all, external sun protection reflects the sun and ensures that the heat does not even penetrate into the interior. With HELLA's own control ONYX, which can be connected to all common smart home systems, the sun protection systems become even more sustainable and allows the sun to get in only where it is wanted. Be it a light-filled room in winter or a shaded terrace on a hot summer's day. With the help of the weather sensor directly on the facade, the control system reacts quickly and adapts automatically to the weather.

SUSTAINABILITY

This is how HELLA does it...

2005

method of construction

Since **2005** new production halls have been built using low-energy construction.

80%

A raw material with added value

For all external venetian blinds the lamella belts with **80 percent** of recycled aluminium content are used. This is made up of around two thirds of our own process scrap from the rolling mill and around one third of scrap that is bought in from outside.

1985

clean energy from own sources

At its headquarters, the company produces more energy than is consumed thanks to its own hydro-electric power station and including participation in a biomass heating plant. As early as **1985**, HELLA took an important step towards reducing the company's ecological footprint with the construction of its own power plant.

Power from nature

As early as 1986, the company's own power plant was put into operation with an annual output of **twelve million kilowatt** hours. It uses the natural power of the streams, which are around two kilometers away.

12 Mio.

And that brings it to the user...

10°

Effective sun protection reduces the amount of solar radiation by up to 90 percent and thus keeps the room around **10 degrees cooler.**¹

50%

Systemic sun protection is essential for a building energy consumption: Less heating in winter and less cooling in summer is the motto!

Depending on the building, age class and proportion of a window area, up to 30 percent of heating energy can be saved with an automated sun protection. When it comes to cooling, savings of up to 50 percent are possible.²

80%

The conscious use of daylight can save up to 80 percent of a lighting energy.³

Intelligent sun protection can develop its full potential **if it is integrated into the planning phase at an early stage.**

Sun protection products have a clear advantage over air conditioning systems when it comes to sustainability. The latter not only consume energy, but also directly contribute to the warming of the urban space through the warm exhaust air. For example, cooling a room by 10° with air conditioning requires the same energy as heating it by 30°.¹

30°

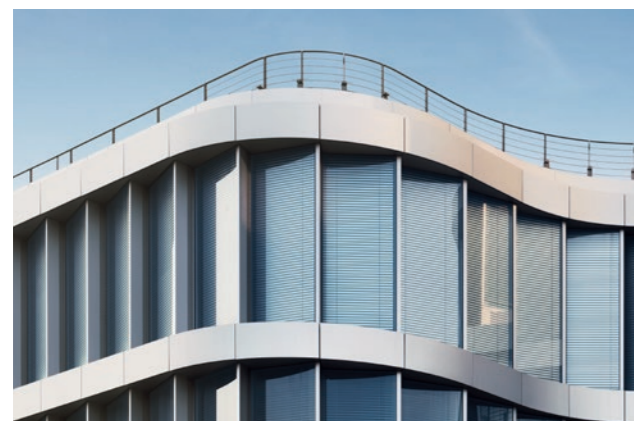
¹ Prognose ETH Zürich
<https://journals.plos.org/plosone/article?id=10.1371/journal.pone.0217592>.

² Industry Association for Roller Shutters, Sun Protection, Automation (IVRSA).

³ BVST Federal Association for Sun Protection Austria – sun protection facts 06-2020.

EVERYTHING FROM A SINGLE SOURCE

Thanks to its innovative strength, HELLA, as a complete provider, offers a broad portfolio of customised sun protection solutions. Premium quality is the benchmark here. Whether refitting, refurbishment or new construction - HELLA has the right solution for every building project!



Outdoor blinds & exterior Venetian blinds



Roller blinds



Solutions for building shells



Industry solutions



Vertical awnings



Overglass and underglass awnings



Fall protections



Interior blinds



Awnings



Pergolas



Insect screens



Control devices



**TERRACE
& GARDEN**

TERRACE ROOFINGS

For shade in sunny places

Due to their robustness and weather resistance, terrace roofings are the perfect alternative to umbrellas and awnings. HELLA pergolas are not only efficient shade providers, they also protect against rain and, depending on the equipment, also against wind. The VENTUR and SINTESI models offer optimal roofing according to your needs and are available in different formats.

HIGHLIGHTS

- combination of several modules is possible
- Free standing or wall mounted
- Sun, rain and wind protection

VENTUR

The Pergola VENTUR is the bioclimatic pergola with adjustable aluminium slats and a horizontal roof. The closed slats provide waterproof rain protection, in addition to the shade, a cooling draught is created. This way, the terrace becomes an oasis of well-being even on hot summer days. Optionally dimmable LED lighting provides a pleasant mood light in the evening hours. The sides of the pergola can be closed with the vertical shading VENTUR SIDE and VENTUR SIDE M.





SINTESI

The pergola SINTESI is an innovative model with precise and reliable guiding of the cover. When it is extended, it combines the lightness of the design with the outstanding properties of the cover. The cover is guided inside the guide rails and the mechanics thus disappears in the particularly slim structure. That is aesthetics with practical advantages: The retracted roof requires about 20 percent less space than with traditional constructions.



ELEGANZA

The ELEGANZA is a new pergola awning with two columns and with brackets for the installation to a wall. In the design ELEGANZA protect, the cover is side seam guided. Terraces up to a depth of 5.5 m and up to a width of 6 m can be provided with shade. In addition, the pergola awning with a surface of up to 30 m², can be provided with dimmable LED stripes, which are integrated in the guidings and in the cassette, serving for a comfortable atmosphere. A Varioplus roller blind as vertical blind can be mounted between the columns as protection against the setting sun.

RESTAURANT, CROATIA





OVER-GLASS AND UNDER-GLASS AWNINGS

Mediterranean lightness

SOLANYA and SOLEYA

The over-glass and under-glass awnings SOLANYA and SOLEYA captivate due to their plain and linear structure. The small cassette of the SOLANYA can be mounted invisibly onto or beneath the terrace roofing. Thanks to the small guide rails, roofs up to a surface of 20 m² can easily and especially with an aesthetic demand be provided with shade. The larger box of the SOLEYA can provide shade to terraces up to a surface of 30 m². The design SOLEYA protect with side seam guiding is a seamless and wind resistant design model for a surface of up to 26 m² and with wind protection class 3.



AWNINGS

Stylish outdoor living spaces

Awnings from HELLA are accurately manufactured right down to the last detail and create free space for relaxed outdoor living. The HELLA awning range features with elegant designs, a diverse fabric collection and, depending on the model, smart accessories such as light and heat sources, weather sensors, angle of inclination adjustment and digital operability.

Award-winning Outdoor Living

The HELLA cassette awnings currently received the Plus X Award. The product range convinced the expert jury in the categories of high quality, design, ease of use and functionality. Custom-made awnings can be freely attached to the facade and are protected from any weather when retracted. Elegant shapes and the wide range of fabrics make them fit seamlessly into the architecture.



Cassette awnings



PAN

Cubic design cassette awning – linearly beautiful and uncompromisingly functional. LED lights that are integrated flushly in the arms as well as a width of seven metres and a sloping projection of 4 metres make the PAN 7040 a sun protection device in a class of its own. The modular design makes the work of the fitters easier during transport and assembly.



C2

The very flat box has a modern design and adapts to almost any architecture. It is modular linkable and perfectly suitable to shade large surfaces. The Varioplus roller blind is the solution when the sun is low in the sky.



CLEO

The awnings CLEO 7040, 7030 and 5530 combine the elegant look with an oval cassette. Their lightweight construction and their many mounting options make them flexible to use. It is suitable for wall and ceiling mounting and can be used variably with its angle of inclination adjustment.

Open and half-open awnings

The awning models from the VIVA and AREIA series round off the range. They are used wherever roof overhangs or balconies are used as protection against the weather or where simple protection against the weather is required. Like all other awnings from HELLA, the elegant shade providers are made to measure and can be operated with a crank handle or with a motor.



VIVA

The open awning with many functions



AREIA

The all-round awning with superior technology

SINGLE FAMILY HOUSE, GERMANY





**WINDOW
& FACADE**

OUTDOOR BLINDS & VENETIAN BLINDS

The prettiest shape
to control the daylight

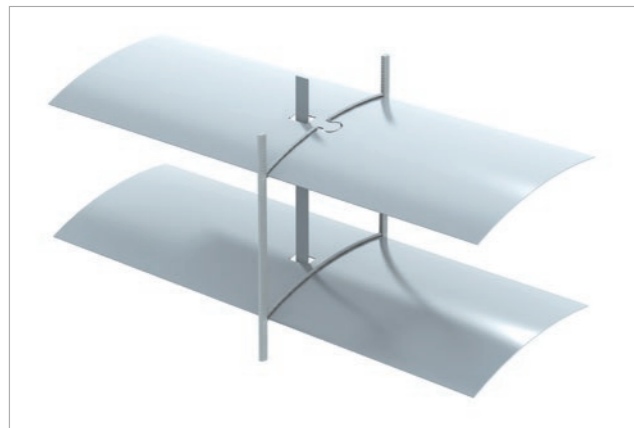
Outdoor blinds & Venetian blinds from HELLA, do not only darken the rooms – they control and dose the daylight as desired by the user. They provide for comfort in your living space and create the perfect conditions for productivity in a working environment. Besides the light control, they influence the indoor climate, because they reflect the heat of the sun and in this way considerably affect the summerly heat protection.

HIGHLIGHTS

- Patented ECN-system
- Bordered Omega deep punchings
- Light control and dimming

Exterior Venetian blinds

Exterior venetian blinds from HELLA with their flat and flexible C-shaped slats are characterised by soft lines and a small package height.



C-shaped slat (flexible flat)

The traditional venetian blind with flat slat is available in widths from 60 to 80 mm.
Models: AF 60, AF 80 and AF 80 Plus

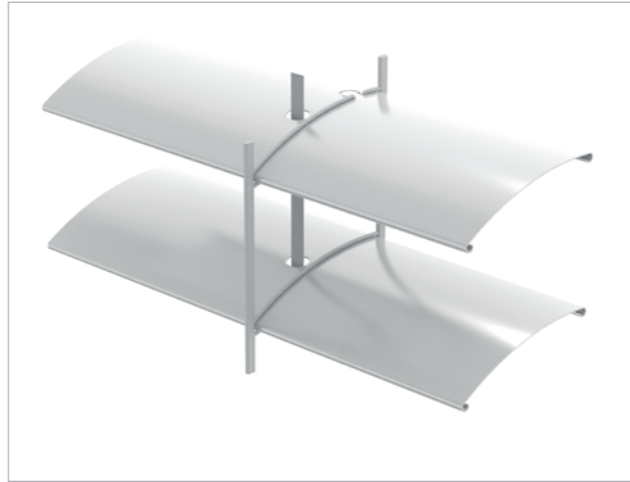




OUTDOOR BLINDS

Outdoor blinds from HELLA with high-quality, bordered C-, S- and Z-shaped slats ensure the perfect light – as and when required from pleasantly light to nearly completely dark.

C-shaped slat
 The classic variant. Visually and technically sound.
 Models: ARB 80 and ARB 80 WS



S-shaped slat
 Elegant wave contour and perfect daylight control.
 Models: AR 63 S ECN, AR 92 S ECN and AR 92 S ECN WS



Z-shaped slat
 Light control with modern geometric contour optics
 Models: AR 63 Z ECN, AR 92 Z ECN and AR 92 Z ECN WS



HOTEL WEILER, AUSTRIA



VERTICAL AWNINGS

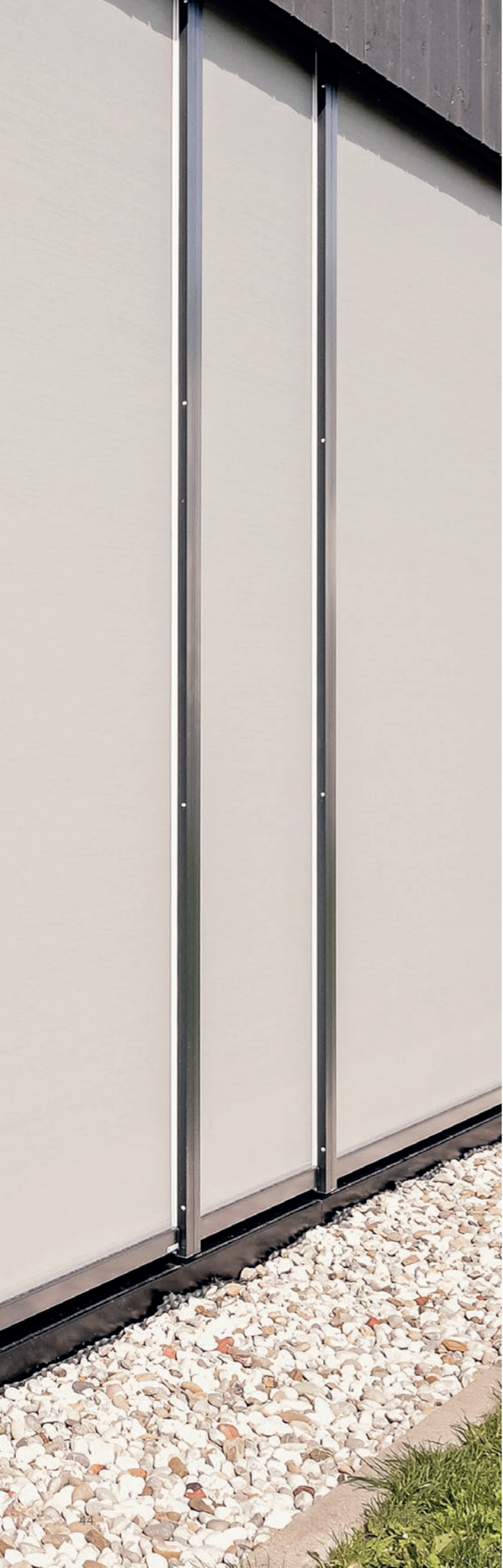
Textile Trendsetter

The new trend for side seam guided and large-sized units, results in the renewal of the HELLA vertical awnings range. The three categories front-mounted, recess, and concealed awnings allow the customer fast orientation. All three categories are available with zip- or cable guiding. With the vertical awnings program, HELLA has a suitable solution for each installation situation.

HIGHLIGHTS

- Specially designed for installation in existing shafts
- Good price-performance ratio
- Large dimensions are available





FRONT-MOUNTED AWNINGS

This makes textile shading really big! Depending on the design, front-mounted awnings are available up to a size of 18 m². Four box sizes (85 / 100 / 115 / 130) as well as square designed box shapes, and in case of variants with side seam, round box shapes, are available.



CONCEALED AWNINGS

With these awnings, the boxes and guide rails are completely plastered in and integrate the sun protection into the façade with an almost seamless appearance. Depending on the design, three box sizes (100 / 115 / 130) are available and dimensions up to a width of 4 m and a height of 4 m can be delivered.



RECESS AWNINGS

With these models, the sun protection is installed self-supporting and easily in on-site recesses. Depending on the design, three box sizes (100 / 115 / 130) and dimensions up to a width of 3.5 m and a height of 5 m are available.

LAKESIDE MANSION, ITALY





ROLLER BLINDS

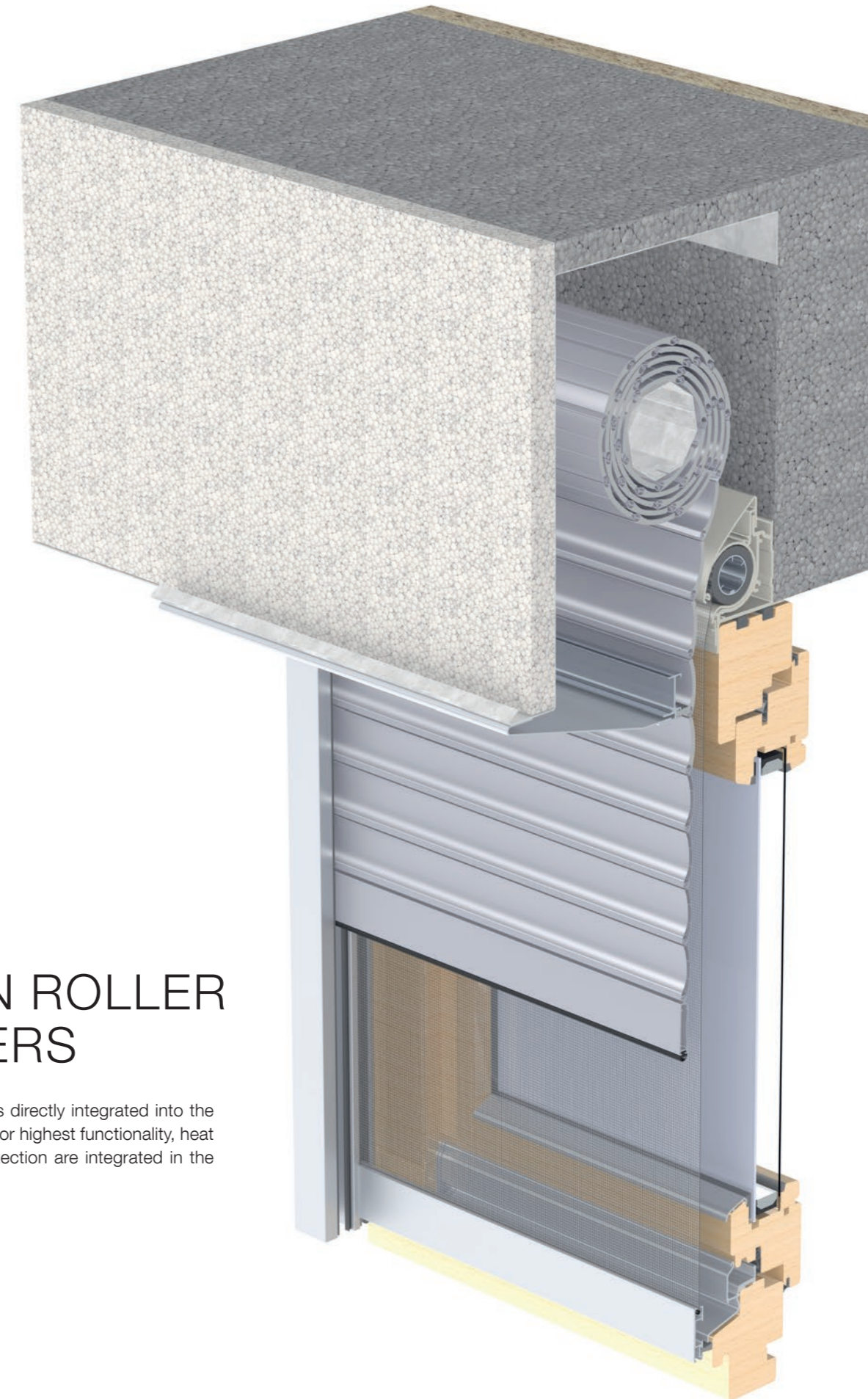
Maximum protection and optimal indoor climate

Roller shutters fulfill important functions such as protection against light, heat, cold and noise. They also act as an efficient "climate buffer": In winter, roller shutters act as an additional pane of thermal insulation. As a result, you save energy, reduce the cost for heating and cooling and create a feeling of comfort in the room. In addition, roller shutters from HELLA can effectively improve burglary protection and protect against burglars.

They can also be equipped with other features that increase a living comfort: For example, with an insect protection or a radio-controlled motor drive. No matter which variant you ultimately decide on, thanks to different materials, profile thicknesses and properties of the roller shutter hangings as well as numerous color variants, roller shutters from HELLA always score in terms of function and design.

HIGHLIGHTS

- Heat and cold remain outdoors
- Avoiding of thermal bridges
- Can also be installed in already existing niches



BUILT-IN ROLLER SHUTTERS

A built-in roller shutter is directly integrated into the wall and thus invisible. For highest functionality, heat insulation and heat protection are integrated in the system.

FRONT-MOUNTED ROLLER SHUTTERS

Whether round or square box: Top-mounted roller shutters can flawlessly be integrated into the design of the facade.



Top-Safe
Burglary-resistant energy saving front-mounted roller shutter with a slant of 27°, extruded



Round design
Front-mounted roller shutter nova with round box



Angular design
Front-mounted roller shutter nova with square box also available with plaster base



Square (slanted)
Front-mounted roller shutter nova with 27° incline, also available with plaster base



INTERIOR BLINDS

Ambience and Comfort

Interior textile sun shading with its different design variants sets decorative accents in modern interior decoration. Be it interior roller blinds, pleated blinds, vertical blinds or blackout elements – interior textile blinds by HELLA provide an abundance of creative opportunities. Thanks to different materials as well as a wide variety of color variants, the interior textile blinds can score points both in functionality as well as creativity. They regulate incidence of light, offer flexible visual protection and set decorative accents in interior decoration.

HIGHLIGHTS

- Decorative elements
- Different materials and numerous color variants
- Regulate the light incidence and offer flexible privacy protection

VERTICAL BLINDS

Be it small window surfaces or conservatories – vertical blinds ensure maximum protection from the sun and heat and are best suited for stylish design of large residential, office and commercial premises. Thanks to the flexible adjustment of the slats, they play with light and shade and create a feeling of boundlessness. Vertical blinds from HELLA do more than just pleasantly regulate the incoming light in the room. With the spacious slats, the vertical blinds functionally ensure maximum protection from the sun, whereby visual contact with the outside environment is maintained and the scattered light ensures a pleasant illumination of the room.





PLEATED BLINDS

Not only is the pleated blind a contemporary best seller; it is also an ultimate all-rounder: Whether the window is triangular, trapezium-shaped or round – the custom-made pleated blinds overcome every architectural challenge. When pulled up, the pleated blind remains almost hidden, but at the same time provides optimal concealment if privacy is desired. Ideally suited as sun, glare and privacy protection, the pleated blind is a textile interior shade laid in permanent folds and, as a practical folding blind, gives every window that certain something. Just choose your favourite color from the vast variety of cloths and rails.



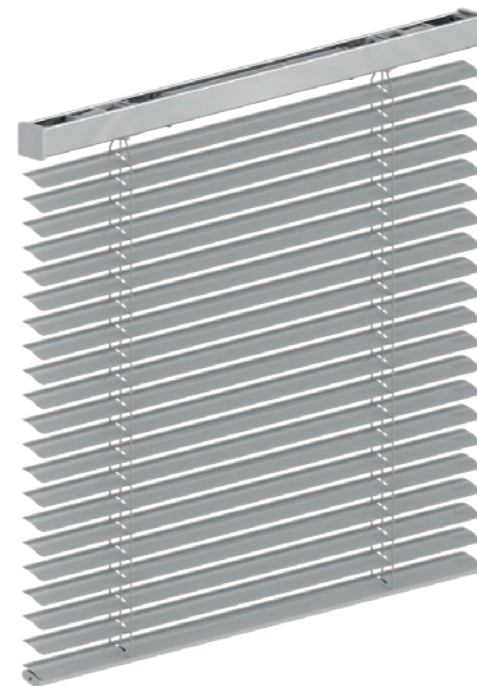
BLACKOUT ELEMENTS

If complete darkness is desired, then our blackout elements come into use. Whether full moon or neon signs light up the night or the conference room is to be turned into a cinema hall within minutes – blackout elements by HELLA ensure the perfect blackout. Especially robust design due to fibreglass profiles shrink-wrapped into the fabric. Blackout elements are very easy to operate with crank or electric motor.

INTERIOR VENETIAN BLINDS

Interior Venetian blinds control and dose the incoming daylight in a convenient way. This way, the sun can be used effectively as a natural source of light for illuminating the rooms. Different types of slats and the broad color spectrum can be used specifically to design the ambience of the room.

Interior Venetian blinds are the perfect visual and glare protection for the interiors! The continuous setting of the slats keeps you protected from prying eyes. As functional elements of the interior decoration they create individual comfort and help to control the room temperature. Venetian blinds are a practical interior sun protection, which can easily be refitted.



INTERIOR ROLLER BLINDS

Flexible, practical and classy – the roller blind is the unmatched classic among the decorative sun protection products. No creasing; the cloth rolls up and unrolls perfectly and it is operated manually or electrically. The roller blind is an all-round genius, which adapts itself optimally to any space situation – be it your bedroom or your workspace. Interior roller blinds provide shade and help to regulate the indoor climate even beneath slanted roofs or in conservatories. With the eco range for interior blinds, sun protection is now even more sustainable, as the cloth is made from recycled plastic from the sea.





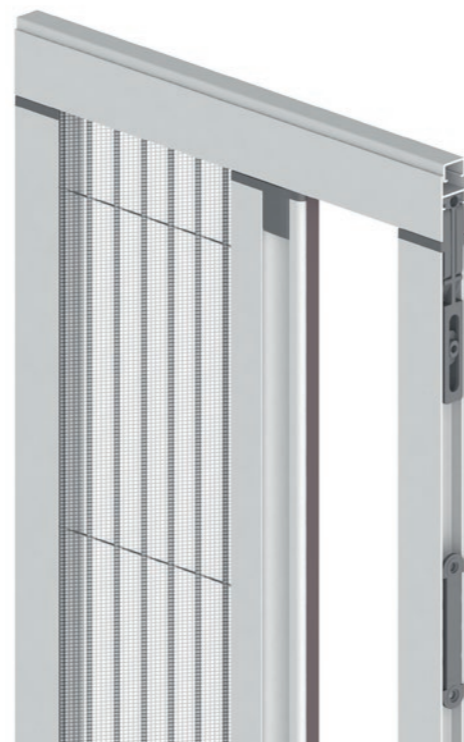
INSECT SCREENS

Protection for highest demands

For any window and door opening, any constructional situation and for any climate zone - HELLA provides the perfect protection against insects – effective and beautiful, perfectly integrated and convenient to operate. Even subsequent installation is no problem. HELLA offers insect screen fabrics that provide from the looking through to the protection against pollen almost everything - and this in many different variants and colors.

PLEATED BLINDS

The pleated insect screen offers an effective and space-saving solution as protection against insects. The especially low bottom running rail facilitates cleaning and passage.



FRAME

The HELLA insect screen frames are suitable for all common door and window openings and can be mounted in a few simple steps. Small installation dimensions, various fastening options and the flexibility of the clamping frames provide customized protection.



ROLLER BLIND

The roller blind is particularly space-saving. The spring balancer drive allows for a quick opening and closing of the roller screen. Due to the built-in recoil brake, a shooting up is ruled out. The box is really compact and suitable for any window soffit.



**BUILD &
RENOVATE**

HELLA

SHELL CONSTRUCTION SOLUTIONS AND PREFABRICATED ELEMENTS

For every requirement the best system solution

As one of the leading European suppliers of sun and weather protection technology, HELLA produces body shell solutions, system components and prefabricated elements for various industries. The earlier sun protection systems are included in the planning, the more harmoniously and functionally they can be integrated into the building and windows and sun protection merge into a flexible, tailor-made and perfectly installed unit. Whether refitting, refurbishment or new construction - HELLA has the right solution for every building project!



HERE IS THE VIDEO!





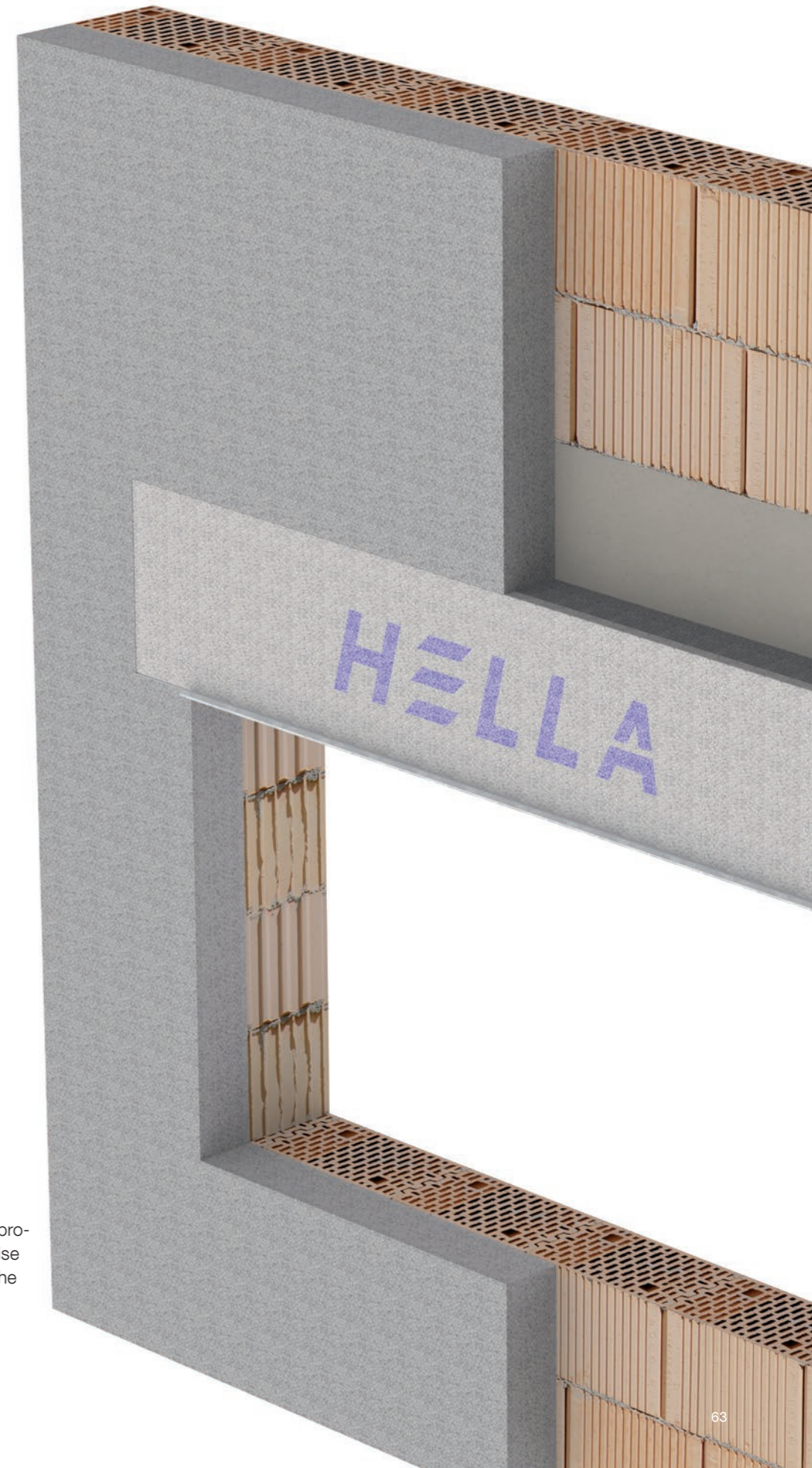
BOX SYSTEMS

Window and sun protection quick, standardized installation

Box systems from HELLA save time and costs, avoid construction errors, optimise the construction quality and meet the standards of the future. Every crate system in the TRAV product group fulfills the individually adapted needs of its respective target group. Prefabricated systems that help to reduce the number of trades are very much in vogue.

TRAV

Whether roller shutters, outdoor blinds, venetian blinds, textile shadings or insect screens –any protection against light, view and noise can seamlessly be integrated in the various HELLA box systems.



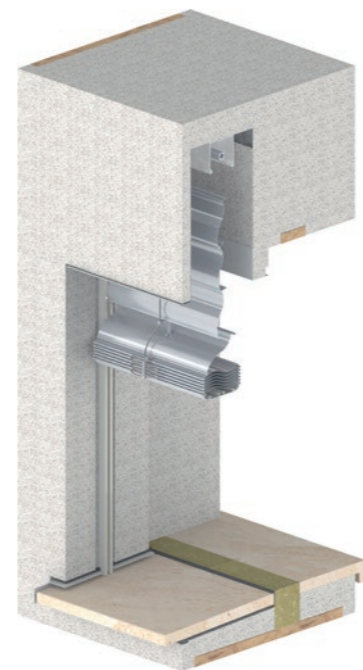


SOFFIT SYSTEMS

TRAV frame and done

How do you integrate the complex combination of window, window sill and sun protection in any facade in a technically simple and structurally perfect way? The answer is TRAV frame.

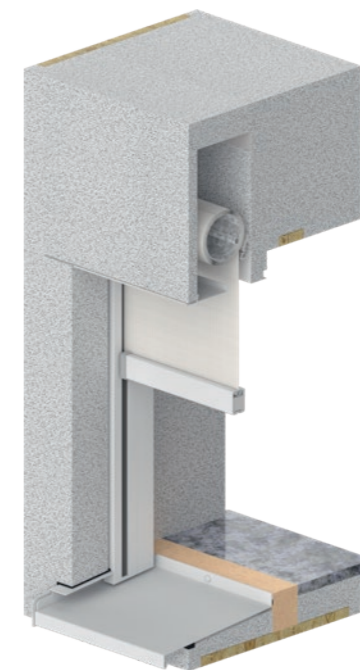
A building block is installed in the window opening that seamlessly integrates the window and the sun protection. The easy installation saves time and costs. Thermal bridges, cracks in the plaster and other constructional faults are nearly eliminated, the energy values and the noise insulation are simply brilliant.



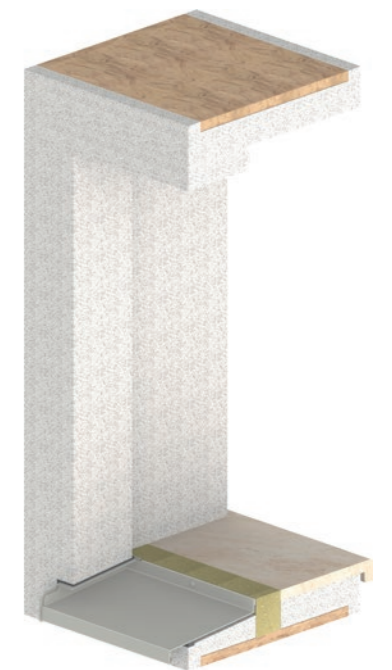
TRAV frame outdoor binds
Outdoor blinds and exterior venetian blinds integrated together with the window in the facade. Window position centred or flush on the inside; optional with integration of the insect roller screen



TRAV frame roller shutters
Roller shutters integrated together with the window in the facade. Window position centred or flush on the inside; optional with integration of the insect roller screen



TRAV frame Screen
Textile sun protection integrated together with the window in the facade. Window position centred or flush on the inside; optional with integration of the insect roller screen



TRAV frame rib
Window frame for or without installation of folding shutters, window centred or flush on the inside



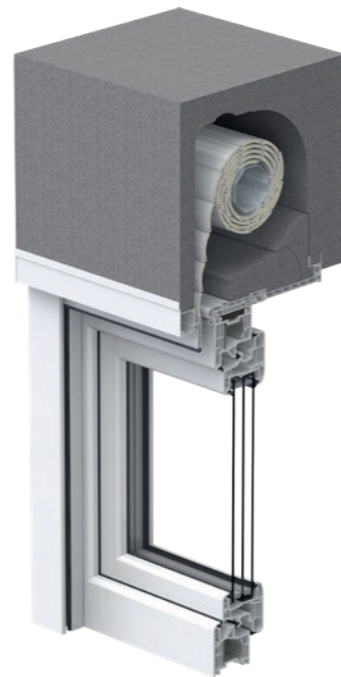
TOP-MOUNTED ELEMENTS

Perfectly integrated sun protection

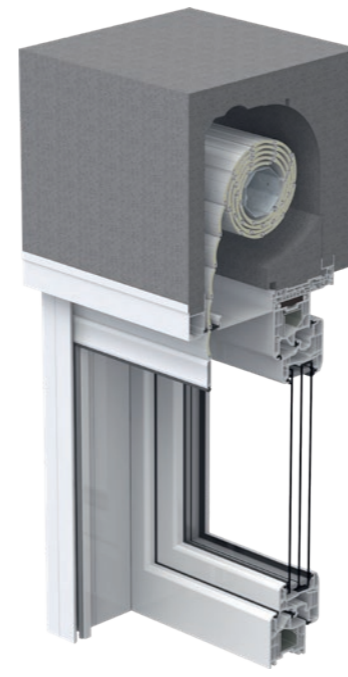
HELLA offers a wide range of top-mounted boxes. With regard to heat and sound insulation, airtightness and statics, the TOP FOAM represents an excellent solution. The TOP FOAM consists of add-on elements made of non-shrink polystyrene that combine the best insulation values with maximum flexibility. This is not only shown by the different box heights and box depths for all installation situations, but also by the compatibility with sun blinds and insect screens. Whether roller shutter, outdoor blind or insect screen, any requirement can be integrated. The connection to the window via clip technology makes the boxes extremely installation-friendly.

THERMplus add-on elements TOP FOAM

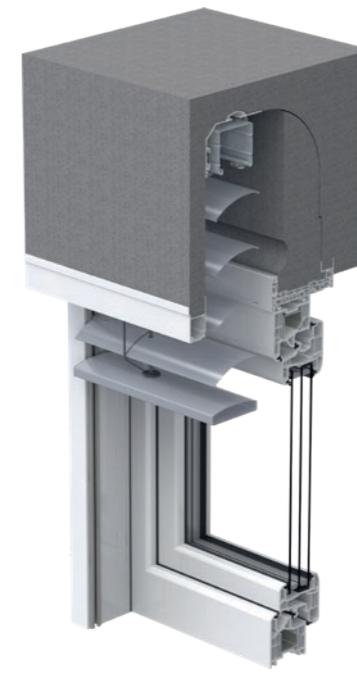
THERMplus top-mounted elements from HELLA are always used, when highest demands on the heat insulation are made. The built-in insulation material ensures extraordinary structural values – both in the field of heat insulation and in the field of noise insulation. The excellently insulated top-mounted boxes are nearly invisible after plastering the façade. Thanks to easily accessible openings, an inspection is possible at any time. THERMplus top-mounted elements are suitable for all door and window openings.



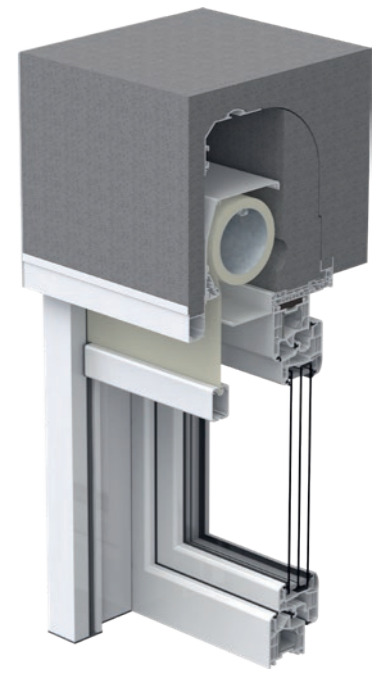
TOP FOAM RvU
With integrated recess to incorporate roller shutters, inspection from the bottom side



TOP FOAM RvA
With integrated recess to incorporate roller shutters, inspection from the outside



TOP FOAM store
With integrated recess to incorporate exterior Venetian blinds



TOP FOAM screen
With integrated recess to incorporate textile shading

SINGLE-FAMILY HOME, AUSTRIA





FALL PROTECTIONS

Maximum security.
Maximum variety.

With the integrated glass, grid, rod, and bar solutions classic, elegant, and creative façade accents are made possible. The fall protections correspond to the high legal requirements to safety and represent high-quality architectural results. The fall protections are available in combination with the attachment elements HELLA and front-mounted venetian blinds with a plaster box. During the financial year 2022, the fall protections will also be able to be integrated into the front-mounted shading systems. The fall protection systems are modular, suitable for different types of windows, and meet any kind of structural requirements. They can be customised according to the customers' requirements.



GLASS

The glass fall protection allows safety combined with modern, transparent design. Glass systems are used for plastic, wooden, wooden-aluminium and aluminium windows.

- Glass widths of up to 2700 mm and low heights starting at 500 mm can be realised
- Completely invisible screwing of all fixing parts
- General appraisal certificate (Allgemein bauaufsichtliches Prüfzeugnis (AbP))

GRID

If a classic balustrade or a timeless French balcony is preferred, the fall protection made of aluminium or steel is the right solution for every building project. The aluminium fall protections with low weight and simple assembly are prefabricated from extruded profiles and coated in the color of your choice. The grid systems made of steel are characterised by high-quality materials as well as by an accurate workmanship and maximum safety.

- Aluminium system with low weight and easy installation
- Grid systems made of steel, with a variety of colors and sizes

PANEL

The fall protections offer creative design freedom and a versatile selection of different design templates. Whether in a perforated look, with an individual pattern or continuous motifs: The window fall protection made of aluminium sheet combines innovation and functionality with freedom of pattern selection, approved safety and high installation comfort.

- Widths of up to 2400 mm
- No additional load-bearing handrail required
- Same installation as with the grid systems

ROD

The rod system is a timeless and simple lintel bar for windows. Rod systems are suitable for low balustrade heights in new buildings or for building renovations. The version is available as an option in an aluminium round pipe.

- Flexible coloring
- Type static available for public or private areas

A woman is shown in profile, smiling and looking at her smartphone. She is wearing a white tank top. The background is a living room with a window, a plant, and a chair. The entire image has a yellow overlay. The text "SMART-HOME-SYSTEM" is written in white, bold, uppercase letters on the left side of the image.

SMART-HOME- SYSTEM



ONYX

The Smart-Home-System from HELLA

The Smart-Home-System ONYX.HOME was specially developed for the operation of sun protection products. Venetian blinds, outdoor blinds, awnings, and roller shutters are conveniently controlled by smart phone, tablet, or fully automatic. All products are graphically displayed in the free ONYX app and can be visually identified by colors.

The sun shading products can also be controlled by voice control, push-buttons, by the ONYX.CLICK hand-held radio transmitter, or the ONYX.SWITCH wall-mounted radio transmitter. The HELLA ONYX system can be connected to all common smart home systems and allows the sun to get in only where it is wanted.

For a smart home

Smart playing with the sun! Be it a room flooded with light in winter or a shaded terrace on a hot summer's day – with the ONYX.HOME control system, it has never been easier to guide the daylight and make optimum use of it within your own four walls. Digital, automatic, and in real time!

HELLA | ONYX.HOME

Control system for offices, etc.

Whether it's an apartment building or a large office complex – ONYX.PRO from HELLA has the building's energy balance for architecture of any size under control. ONYX.PRO provides a uniform façade appearance and protects the sunshade from the influence of weather. In coordination with the electrical planner, HELLA takes over the pre-configuration and commissioning of the sun protection systems. More sun protection – less air conditioning!

HELLA | ONYX.PRO

The components



ONYX.APP

All sun protection products at a glance on your smartphone! With the ONYX.APP, controlling sun protection is child's play - whether at home or on the go. In addition, various weather and time scenarios as well as automatic programs can be easily created and automatically executed via the ONYX.APP.



ONYX.CENTER

The center box serves as an interface between the smart phone and the individual control devices and communicates via a wireless radio connection. It transmits radio commands bidirectionally so that the exact current position of the sun screen is displayed via the live feedback in the app.

ONYX.WEATHER

The wind and sun sensor ONYX.WEATHER logs the weather influences such as wind speed, sun intensity and temperature on the facade. With the help of the sensor, the control system reacts quickly and adapts automatically to the weather.



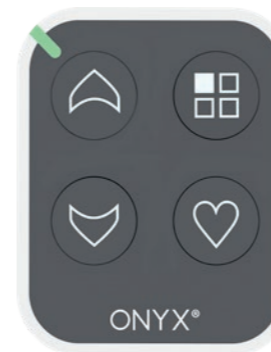
ONYX.CONNECTOR

The ONYX.CONNECTOR is plugged between the power supply and the existing motor and thus is perfectly suitable for the subsequent installation in existing or new buildings. It offers the easiest type of wiring to control a shading element via ONYX.



ONYX.NODE

Each shading element is provided with a control node ONYX.NODE that is connected in between the power supply and the existing motor. The control node makes any individual blending element fit for the Smart-Home and offers the possibility of using a push button.

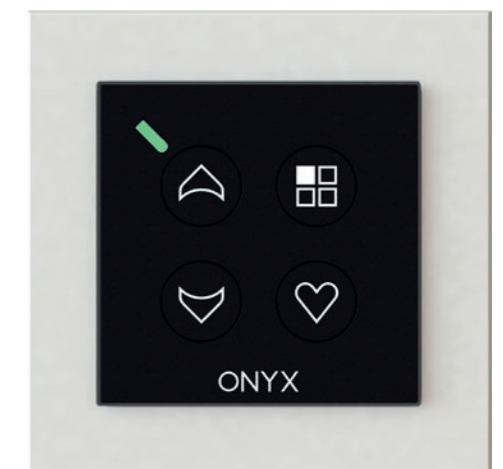



ONYX.CLICK

ONYX.CLICK is the hand-held radio transmitter for the control of sun protection products. It serves as an extension of the centerbox ONYX.CENTER, but it can also be used without the box in the stand-alone operation.

ONYX.SWITCH

ONYX.SWITCH is the wall-mounted radio transmitter for ONYX control devices. Several devices can be put together and grouped into five channels. The display of a channel is symbolised by a unique color. For each channel, a favourite position can be saved on the ONYX.SWITCH.



A modern building with a facade of white and black panels, set against a bright orange sky. The building's facade is composed of large, rectangular panels in white and black, creating a grid-like pattern. The building is viewed from a low angle, looking up at the sky. The sky is a solid, bright orange color. The building's facade is the primary focus of the image.

*Show me how you build,
and I'll tell you,
who you are.*

*Christian Morgenstern
German writer
(1871–1914)*

HELLA

Brochure| Image

7590 0016_EN

08/2022

Subject to modifications.