

Product Information Conservatory Blind Tenda

Harmonious facade design due to the same box design like
the awnings VIVA and the facade blind FM100
Perfect for sun protection with conservatories, glassed-in roofs and pergola-type structures
Up-to-date colours and numerous designs
Convenient operation due to electric drive



Models

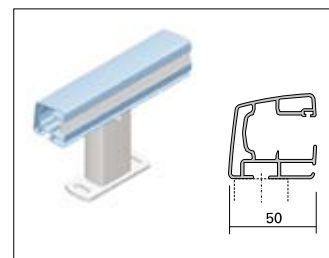
tenda (up to 18 m²)

Blind with counter tension for installation on sloping glassed-in areas. Ideal for protection in conservatories, glassed-in roofs and pergola-type structures.



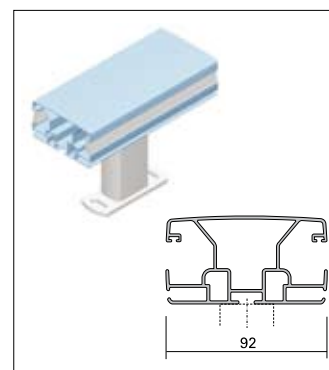
tenda D (triangular system up to 9m²)

Blind with counter tension for installation on sloping glassed-in areas. Ideal for protection in conservatories, glassed-in roofs and pergola-type structures with sloping sides (35° - 74°).



Single side guide rails

made of extruded aluminium: Size 50 x 48 mm; with c-shaped take-up for the rollers of the front rail profile.



Double side guide rails

made of extruded aluminium; size 92 x 48 mm; installation for combinations or coupling.

Limit sizes

tenda

Fields	Drives	min. width (mm)		max. width (mm)	max. tilt-out (mm)			max. surface (m ²)		
		Standard-electric drive	Radio receiver		Standard Allwetter Reflect Firemaster	Liberty	Soltis 92 Twilight Sunsilk	Standard Allwetter Reflect Firemaster	Liberty	Soltis 92 Twilight Sunsilk
1	1	1420 (850)*	1420	4500	4500	3000	3400	18	12	15
2	1 (2)	2180 (1610)*	2180	9000	4500	3000	3400	36	24	30
3	2	3600 (2450)*	3600	13500	4500	3000	3400	54	36	46
4	2	4360 (3220)*	4360	18000	4500	3000	3400	72	48	61

*) on demand

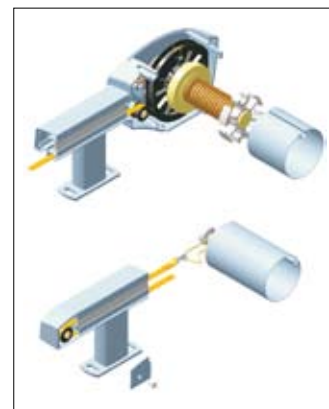
tenda D

Fields	Drives	min. width(mm)	max. width mm)	max. tilt-out (mm)		max. surface (m ²)	
				Soltis 92	Soltis 92	Soltis 92	Soltis 92
1	1	1050	4500	4000	4000	9	9
2	1	1550	9000	4000	4000	18	18

Number of brackets (for all types)

tilt-out	Brackets per side guide rail (bracket height <= 250)
up to 2000	2
up to 4000	3

tilt-out	Brackets per side guide rail (bracket height > 250)
bis 2000	2
bis 3000	3
bis 4000	4



Tensioning system

counter tension via pull cords; tensioning system with spring mechanism integrated in fabric roller; counter tension increases proportionally to projection when extending.

Qualified company:

Head Office:
HELLA Sonnen- und Wetterschutztechnik GmbH
 A-9913 Abfaltersbach 125
 T. +43 (0)4846 / 65 55-0
 F. +43 (0)4846 / 65 55-134
 E: office@hella.info

www.hella.info