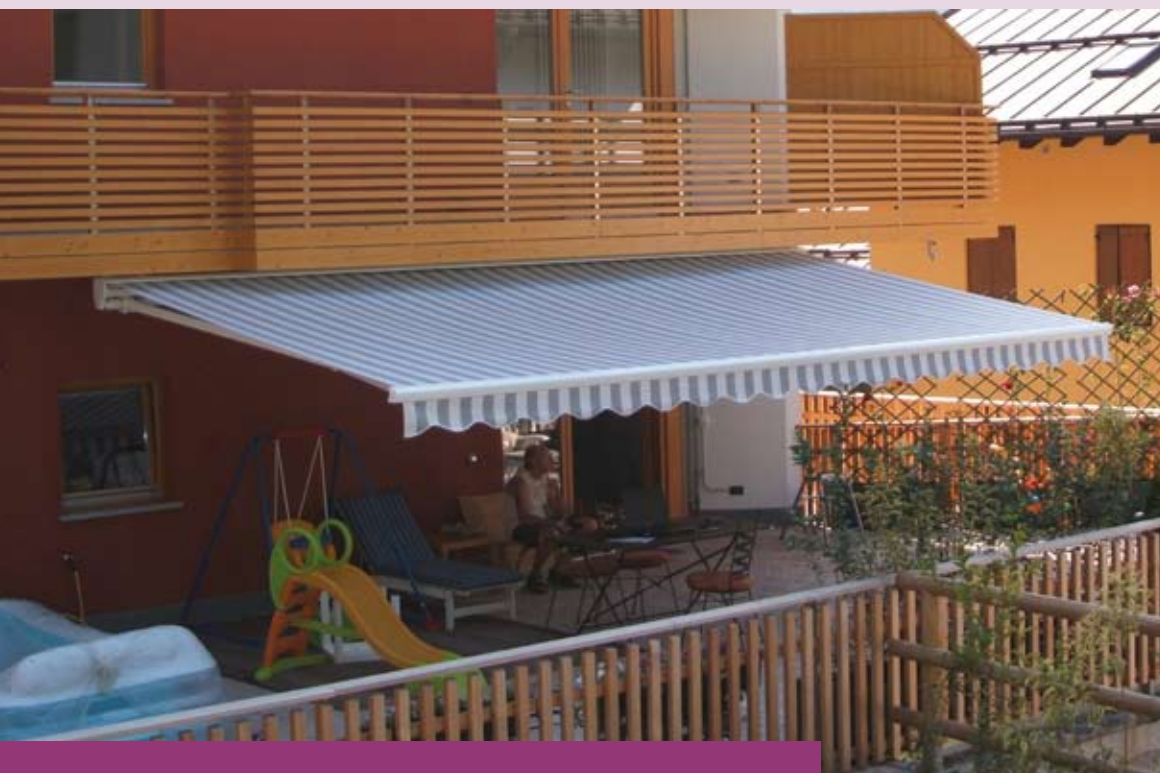


Product Information Cartridge Awning V!VA super

Harmonious facade design due to the same box design
like the facade awning FM 100 and the conservatory blind Tenda
Roof profile and the protection box for the fabric protect the fabric
and the arms against influences of weather
Up-to-date colours and numerous designs
Easy operation



Design description

Cartridge

Made from extruded aluminium, in two parts, powder-coated; encompasses the fabric roll shaft with approx. 300°.

Articulated arms

Made from extruded aluminium and drop-forged hinges. Powder-coated, with negative camber and corrosion protected round steel link chain with inlying noise-reduced special springs.

Fabric roll shaft

Made from galvanized steel, Ø 85 mm.

Stay pipe

40 x 40 mm, made from galvanized steel, powder-coated.

Extension profile

Made from extruded and powder-coated aluminium, to integrate the fabric and the flounce.

Brackets

Made from extruded and powder-coated aluminium, for installation to the wall, the ceiling or the rafter.

Inclination adjustment

Via socket spanner from 0° to 40°.

Variomatic (V), surcharge!

Inclination adjustment only available for single units up to a width of 7000 m and an extension of 3500 mm. Centrally continuously adjustable from approx. 0° to approx. 40°.

Variotronic (VTF), surcharge

Inclination adjustment with motor drive and radio remote control only available for single units with 2 arms and an extension up to 3500 mm. Continuously adjustable from approx. 0° to approx. 40°.

Drive options

a) Crank handle drive

With limit stop and freewheel via crank rod with ball hook; length of the crank rod with ball hook; length of the crank handle 1200, 1400, 1800 or special length up to 3000 mm; (crank handle drive available up to an extension of max. 3 m).

b) Motor drive

Via tubular motor (230 V/50 Hz) with torque cut-off, pushed into the fabric roll shaft; VDE- and TÜV-certified. Optionally available with integrated radio receiver.

Custom-made fabric

Acc. to current range; numerous awning fabrics are available with adhesive welding technology (surcharge).

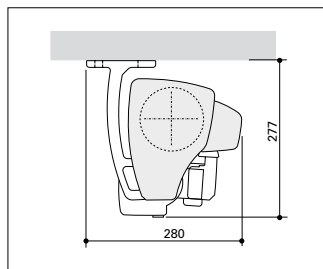
Installation options

Wall, ceiling or rafter.

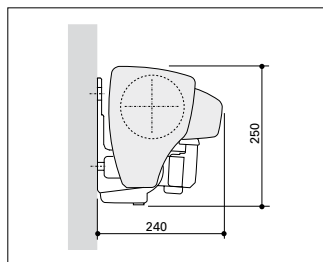
Colours

Frame colours in
RAL 9016 (normal white)
RAL 8019 (grey-brown)
RAL 1015 (light ivory)
RAL 5003 (sapphire blue)
RAL 6028 (pine green) and
RAL 9006 (white-aluminium).

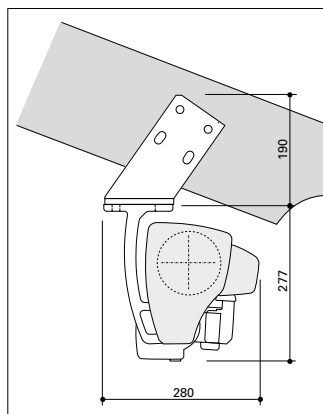
Installation options



Ceiling installation



Wall installation



Rafter installation



Max. width:	
Single unit	7.0 m
Linked set	14.0 m
Max. extension:	
Single unit	4.0 m
Linked set	4.0 m
Design:	Cartridge
Articulated arm:	Round steel link chain
Extruded aluminium, hinges made from cast aluminium.	
Inclination:	
Range of adjustment	0° - 40°
Variomatic:	
(with single units) Variable inclination adjustment up to an extension of 3.5 m	+
VarioPlus Roller Blind:	
(with single units) up to an extension of 3.5 m	+
Coupleable:	+
Flounce:	✓
5 different forms, all fabric designs	
Arm covering profile:	+
Wall connection profile:	+
Protection cover:	
For open awning	-
Frame colours:	
a) Standard:	
RAL 9016 White	✓
RAL 9006 Silver	✓
RAL 8019 Brown	✓
RAL 1015 Light ivory	✓
RAL 5003 Sapphire blue	✓
RAL 6028 Pine green	✓
b) Special colours:	
Standard colours acc. to our RAL classic colour chart are available without surcharge.	✓
Special colours acc. to the RAL classic colour chart, such as pearl effect, metallic or fluorescent colours, as well as special colours acc. to other colour charts (e.g. DB, TIGER, NCS, Sikkens, etc.) on request.	✓
Fixing:	
Wall bracket (on concrete I)	✓
Ceiling bracket	+
Rafter bracket	+

✓ Included in the delivery

+ Surcharge

- not available

Minimum widths

Extension (mm)	1500	2000	2500	3000	3500	4000
Design Maxima	1290	1540	1790	2050	2300	2550
Single unit crank handle (2 arms)	1840	2340	2840	3350	3850	4450
Single unit motor (2 arms)	1790	2290	2790	3300	3800	4400
Single unit crank handle (3 arms)	2710	3455	4210	4970	5720	6610
Single unit motor (3 arms)	2660	3405	4160	4920	5670	6560
Linked set motor (4 arms)	3740	4740	5740	6760	7760	8890
Linked set motor (6 arms)	5480	6970	8480	10000	11500	13210

Qualified company:

Head Office:
HELLA Sonnen- und Wetterschutztechnik GmbH

A-9913 Abfaltersbach 125

T. +43 (0)4846 / 65 55-0

F. +43 (0)4846 / 65 55-134

E: office@hella.info

www.hella.info