

Product Information Cartridge Awning Toga

Fashionable overall impression
Protection for the fabric and the arms against influences of weather
Up-to-date colours and numerous designs
Easy operation



Design description

Fabric roll shaft

Ø 78 mm, made from galvanized steel.

Box

Cassette in two parts, made from extruded aluminium profiles; end caps made from cast aluminium.

Articulated arms Secuflex 70

Made from aluminium, powder-coated, with negative camber and triple plastic-sheathed steel cables; with inlying noise-reduced special springs.

Extension profile

Made from extruded and powder-coated aluminium, for installation to the wall, the ceiling or the rafter.

Brackets

Made from powder-coated aluminium, for installation to the wall, the ceiling or the rafter.

Inclination adjustment

Via adjusting screw continuously adjustable from 5° to 60°.

Gutter pipe for Varioplus

Made from extruded and powder-coated aluminium. Designed as grooved shaft, Ø 28 mm.

Drive options

a) Crank handle drive

With limit stop and freewheel; length of the crank handle 1200, 1400 or 1800 mm; special length up to 3000 mm available; (crank handle drive available up to a complete width of max. 6250 mm).

b) Motor drive

Via tubular motor (230 V/50 Hz) with torque cut-off, pushed into the fabric roll shaft; VDE- and TÜV-certified.

Colour coating

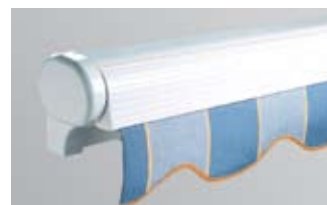
All parts of the awning are in RAL 9016 (normal white) or RAL 9006 (white-aluminium). Special colours acc. to RAL on request.

Custom-made fabric

Acc. to current range. Numerous awning fabrics are available with adhesive welding technology (for a surcharge).

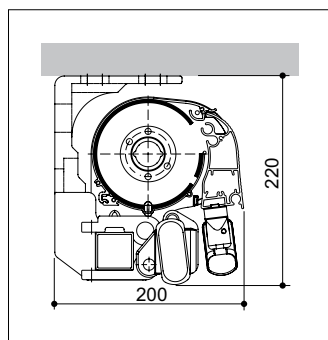
Flounce

Available in 5 different forms and all designs.

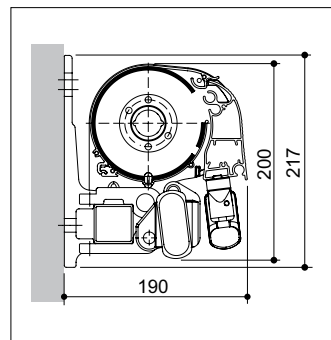


Max. width:	
Single unit	7.0 m
Linked set	12.0 m
Max. extension:	
Single unit	4.0 m
Linked set	4.0 m
Design:	Cartridge
Articulated arm:	Triple cable
Extruded aluminium, hinges made from cast aluminium.	
Inclination:	
Range of adjustment	5° - 60°
Variomatic:	
(with single units) Variable inclination adjustment up to an extension of 3.5 m	-
VarioPlus Roller Blind:	
(with single units) up to a complete width of max. 6000 mm	+
Coupleable:	+
Flounce:	+
5 different forms, all fabric designs	
Arm covering profile:	-
Wall connection profile:	-
Protection cover:	
For open awning	-
Frame colours:	
a) Standard:	
RAL 9016 White	✓
RAL 9006 Silver	✓
b) Special colours:	✓
Standard colours acc. to our RAL classic colour chart are available without surcharge.	
Special colours acc. to the RAL classic colour chart, such as pearl effect, metallic or fluorescent colours, as well as special colours acc. to other colour charts (e.g. DB, TIGER, NCS, Sikkens, etc.) on request.	✓
Fixing:	
Wall bracket (on concrete I)	✓
Ceiling bracket	+
Rafter bracket	+

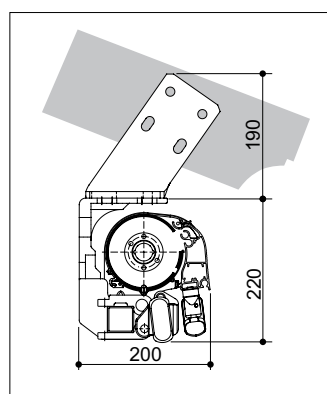
Installation options



Ceiling installation



Wall installation



Rafter installation

Minimum widths

Extension (mm)	1500	2000	2500	3000	3500	4000
Design Maxima	1370	1620	1870	2120	2370	2620
Single unit crank handle (2 arms)	1970	2470	2970	3470	3970	4470
Single unit motor (2 arms)	1920	2420	2920	3420	3920	4420
Single unit motor (3 arms)	-	-	-	-	-	6700
Linked set motor (4 arms)	3840	4840	5840	6840	7840	8840

✓ Included in the delivery
+ Surcharge
- not available

Qualified company:

Head Office:
HELLA Sonnen- und Wetterschutztechnik GmbH
A-9913 Abfaltersbach 125
T. +43 (0)4846 / 65 55-0
F. +43 (0)4846 / 65 55-134
E: office@hella.info

www.hella.info