

# Product Information Built-in roller shutter

Optimum view and sun protection

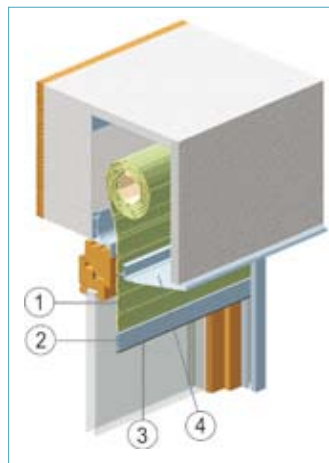
Can be combined with an insect screen

The box is integrated in the basic structure of the building and not visible

Installation and maintenance-friendly

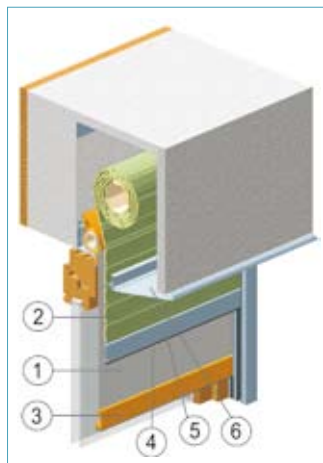


### Built-in roller shutters in standard design.



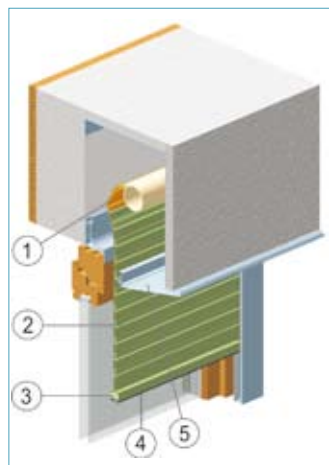
- 1 - Foam-filled double-wall armoured aluminium shutters.
- 2 - End rail with neoprene insert.
- 3 - Sealing brush.
- 4 - External maintenance flap (no thermal bridge).

### Built-in roller shutters, can be combined with rolling insect screen



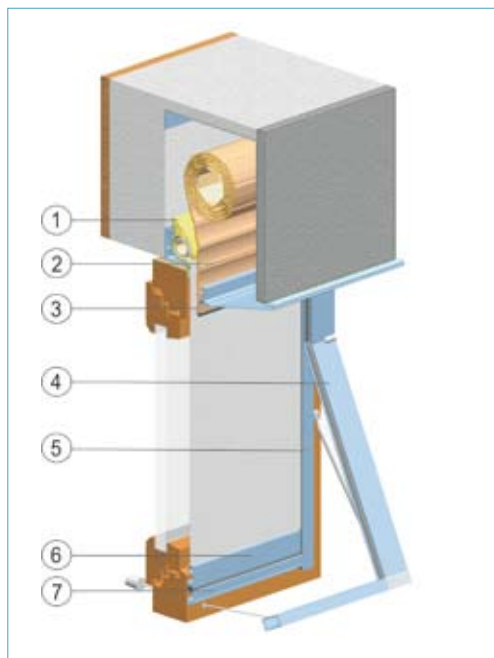
- 1 - Insect screen shutter
- 2 - Foam-filled double-wall armoured aluminium roller shutters.
- 3 - Magnetic strip for end rail ISR
- 4 - Sealing brush.
- 5 - End rail with neoprene insert
- 6 - External maintenance flap (no thermal bridge).

### Built-in security shutters "Top Safe"



- 1 - Roll up safety "Top Safe".
- 2 - Double-wall extruded aluminium security armour.
- 3 - Reinforced end rail with dual neoprene insert.
- 4 - Sealing brush.
- 5 - Reinforced maintenance flap with security fasteners.

### Built-in roller shutter ISKTR, combined with roll-up insect screen and tilt-out unit



- 1 - Insect screen shutter
- 2 - Foam-filled double-wall armoured aluminium roller shutters
- 3 - End rail with neoprene insert
- 4 - Spacing guide rail
- 5 - Gas pressure spring
- 6 - Hook-out operable from inside
- 7 - Operating chain for hook-out

### Limit sizes

Profile	weight (kg/m <sup>2</sup> )	Type	min. width (mm)	max. width (mm)	max. height (mm)	max. surface (m <sup>2</sup> )
<b>DGO</b>	3,4	GU/SRZ	600	2600	3000	2,9
		KU	400	2600	3000	5,0
		EL	*)	2600	3000	5,0
<b>DG</b>	3,5	GU/SRZ	500	3000	3000	2,8
		KU	400	3000	3000	6,8
		EL	*)	3000	3000	7,5
<b>DGM</b>	4,0	KU	400	3800	2800	6,0
		EL	*)	3800	2800	8,0
<b>DK</b>	3,0	GU/SRZ	700	1800	3000	3,0
		KU	500	1800	3000	3,0
		EL	*)	1800	3000	3,0
<b>TS</b>	8,0	KU	400	2500	3000	3,8
		EL	*)	2500	3000	6,5

\*) on demand (depending on type of electric drive)

Qualified company:

**Head Office:**  
**HELLA Sonnen- und Wetterschutztechnik GmbH**  
 A-9913 Abfaltersbach 125  
**T.** +43 (0)4846 / 65 55-0  
**F.** +43 (0)4846 / 65 55-134  
**E:** office@hella.info

[www.hella.info](http://www.hella.info)